



KONICA MINOLTA

# PRODUCT GUIDE

**bizhub C3320i**



Giving Shape to Ideas

<b>Revision</b>	<b>Description</b>
15.05.2019	Initial version

Since changes in technical features may occur, please note that the technical data provided in this product guide was issued in May 2019. We reserve the right to make changes to the technical design. Specifications refer to maximum performance under standard conditions. No guarantee is provided in relation to any of the data supplied.

## Table of contents

Product basics.....	4
System dimensions .....	5
System configuration.....	9
System specifications.....	10
Copier specifications .....	13
Printer specifications .....	15
Scanner specifications .....	18
Fax specifications.....	18
Consumables .....	19
Article numbers and compatibility.....	20
Documentation .....	22
Driver DVD .....	23
Recommended media .....	24
Appendix .....	25
Paper weights and sizes to be used .....	25
Media type tray support.....	25
What is delivered with the machine? .....	26

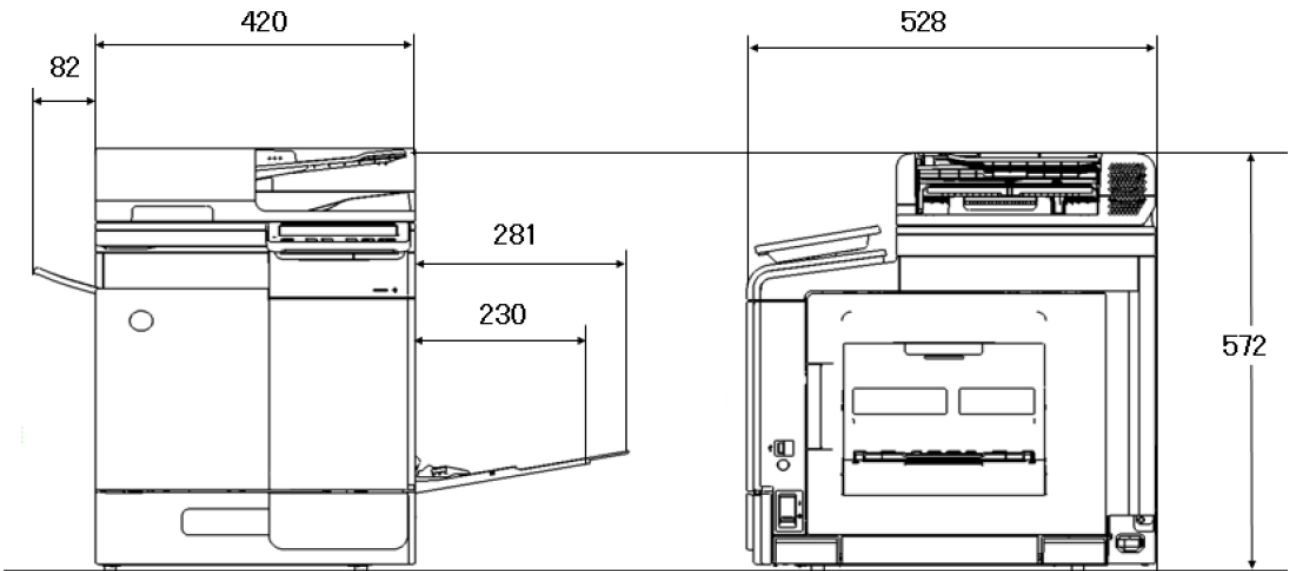
Product basics	
MODEL DEVELOPMENT CODE	Sparrow 2 AIO
MODEL NAME	bizhub C3320i
SUCCESSOR MODEL FOR	bizhub C3110
ESTIMATED SALES START	07/2019
INFOSOURCE SEGMENT	Colour A4 segment IV
AVERAGE MONTHLY PAGE VOLUMES (exp. colour ratio: 30%)	6 500
MACHINE LIFE	400k or 5 years
STANDARD COPY MODE (MONO & COLOUR)	3 pages/ job
STANDARD ORIGINAL DENSITY	5 % Mono & Colour
SAFETY & ENVIRONMENT	Available on Infoportal

**PLEASE NOTICE**

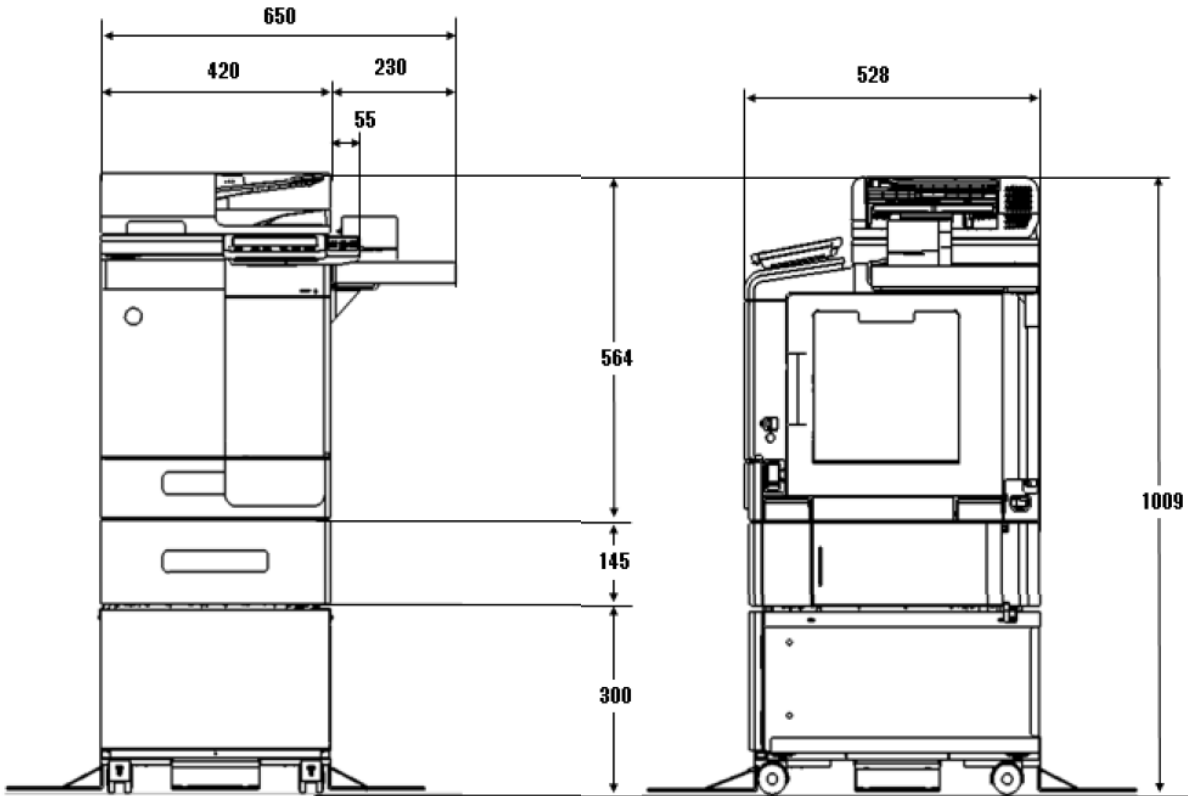
Standard paper weight for systems is 80 g/m<sup>2</sup> for monochrome machines. Since using these standards result in optimum system performance, all specifications on performance, reliability, maintenance and replacement based on those standard papers. Using thick papers, labels, transfer and polyester films continuously can increase the wear and tear on replacement parts and consumables – meaning your servicing costs will go up. Use the bypass or the lower tray from the paper feed unit when working with materials having such characteristics as polyester films, textile transfer films and labels. Otherwise, you may be faced with double feeding or a higher number of feeding jams. If possible use subtray when working with materials having such characteristics as polyester films, textile transfer films and labels. Rollermarks on the copy or print may appear or increased jams can occur. Standard paper weights yield the best possible copy and print results. Using higher grammatures may influence the quality of the output. Using standard paper weights also guarantees that double sided copies and prints are made reliably. Different characters of films as well as thick, thin and coated papers may increase the jam rate for double sided copies and prints.

## System dimensions

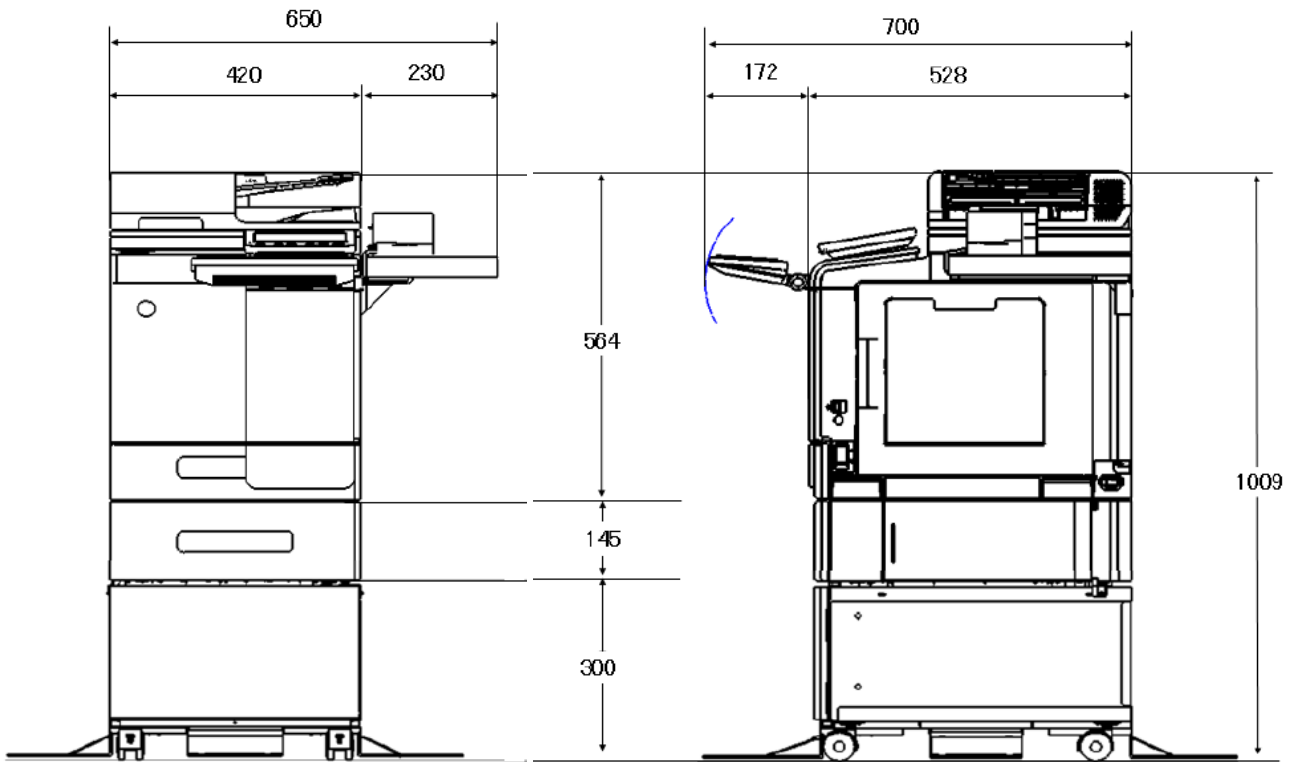
bizhub C3320i standard configuration



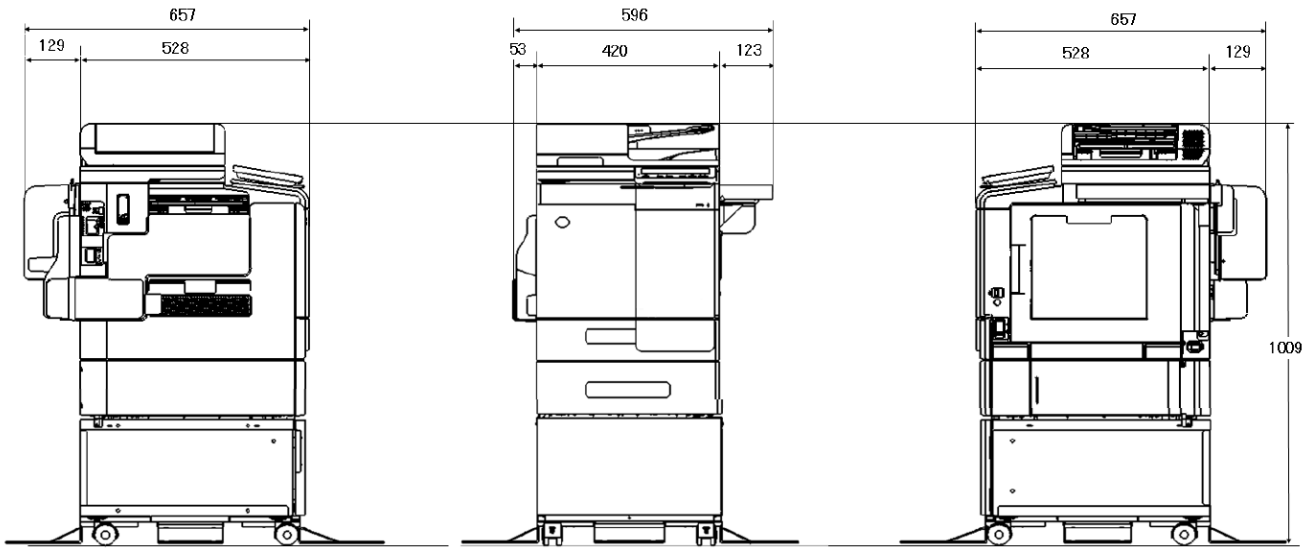
bizhub C3320i with options



bizhub C3320i with finisher and keyboard



bizhub C3320i with options and CU-202





## System configuration

### Configuration bizhub C3320i

#### 1 ENHANCED FEATURES

Antivirus  
LK-116

#### 2 CONNECTIVITY

Fax board  
FK-517

Wireless LAN  
UK-221

USB I/F kit  
EK-P08

USB I/F kit  
EK-P09

OR

NFC kit  
EK-P10

I/F cable for CSRC modem  
EK-P11


Biometric authentication  
AU-102


ID card reader


OR

Mount kit  
MK-P08

#### LEGEND

 Mandatory option

 Option

 This option can only be installed with the respective option above it



#### 3 OTHERS

Working table  
WT-P03

10-Key pad  
KP-P03

Keyboard holder  
KH-P02

Air cleaning unit  
CU-102

Mount kit  
MK-P09

#### 4 MEDIA INPUT

Paper tray  
PF-P20

Height adjustment unit  
PF-P22

Copy desk  
DK-P04x

#### 5 MEDIA OUTPUT

Off-line stapler  
FS-P04

## System specifications

### Dual scan document feeder

STANDARD

Original size	A6 - A4
Original weights	50 - 128 g/m <sup>2</sup>
Tray capacity	80 sheets
Feeding speed	Simplex: up to 28 images/min Duplex: up to 56 images/min

### Standard paper feed tray

STANDARD

Capacity	1 x 500 sheets (80 g/m <sup>2</sup> )
Paper formats	Width: 100 - 216 mm Length: 148 - 297 mm
Paper weights	60 - 210 g/m <sup>2</sup>
Media type	Please see appendix

### Manual bypass tray

STANDARD

Capacity	100 sheets (80 g/m <sup>2</sup> )
Paper formats	Width: 90 - 216 mm Length: 148 - 356 mm
Paper weights	60 - 210 g/m <sup>2</sup>
Media type	Please see appendix

### Automatic duplex unit

STANDARD

Paper weight	60 - 210 g/m <sup>2</sup>
Paper format	Width: 120 - 216 mm Length: 223 - 356 mm

### PF-P20 Paper cassette

OPTION

Capacity	1 x 500 sheets (80 g/m <sup>2</sup> )
Paper formats	B5S, A4S
Paper weights	60 - 90 g/m <sup>2</sup>
Media type	Please see appendix
Dimensions (W x D x H)	420 x 528 x 145 mm
Weight	7.8 kg
Remark	1 additional Paper Cassette can be added

**PF-P22 Dummy cassette**

**OPTION**

Dimensions (W x D x H)	420 x 528 x 145 mm
Function	Height adjustment unit, no paper input To be installed instead of (or in addition to) PF-P20 to achieve comfortable height
Remark	2 Dummy Cassette Units can be added.

**DK-P04x Copy desk**

**OPTION**

Dimensions (W x D x H)	420 x 520 x 300 mm
Weight	13.9 kg
Remark	In order to guarantee safe and stable stand for the device, stability feet are required.

**FS-P04 Off-line stapler**

**OPTION**

Functionality	Stapling (off-line)
Staple capacity	20 sheets (90 g/m <sup>2</sup> )
Continuous stapling interval	Once every 3 sec.
Power supply	From device
Staples	SK-501
Dimensions (W x D x H)	101 x 115.3 x 74.5 mm
Weight	1.3 kg
Remark	Could be installed on working table WT-P03 or separately

**WT-P03 Working table**

**OPTION**

Functionality	For placement of off-line stapler, authentication device or keyboard holder
---------------	---

**KH-P02 Keyboard holder**

Functionality	To place USB keyboard
Remark	Attached to the device body below operation panel

**KP-P03 10-key pad**

**OPTION**

Functionality	Hardware 10-key pad for number entry instead of touch panel
---------------	---

**FK-517 Fax board**

**OPTION**

Communication	Super G3
Specifications	Please refer to the chapter "Fax specifications"
Remark	No mount kit required for installation – bundled with FK-517

**EK-P08 USB I/F kit** **OPTION**

Functionality	USB keyboard connection
---------------	-------------------------

**EK-P09 USB I/F kit** **OPTION**

Functionality	USB keyboard connection, Bluetooth LE
---------------	---------------------------------------

**ID card authentication unit** **OPTION**

Functionality	Authentication by contact less ID card
Remark	For details on available card technologies please refer to the price list. MK-P08 is required for device-embedded installation, WT-P03 for outside placement. When only card reader is installed, EK-P08/09 is not necessary. When using multiple USB ports, EK-P08/ 09 is required.

**MK-P08 ID card reader mounting kit** **OPTION**

Functionality	Installation kit for ID card reader (device integrated behind front cover)
---------------	--

**UK-221 Wireless LAN** **OPTION**

Functionality	Wifi model for both bizhub Remote Access and normal Wifi connection
Remark	Required for bizhub Remote Access on Android and iOS and for wireless LAN Access Point Mode.

**LK-116 i-Option license** **OPTION**

Functionality	BitDefender Antivirus
---------------	-----------------------

**EK-P10 NFC Interface** **OPTION**

Functionality	NFC interface
---------------	---------------

**EK-P11 Interface cable** **OPTION**

Functionality	Required for installation of CSRC GPRS modem
---------------	--

**SX-BR-300AN Wireless LAN** **OPTION**

Functionality	External LAN to Wifi box.
---------------	---------------------------

**AU-102 Biometric authentication** **OPTION**

Functionality	Finger vein scanner
---------------	---------------------

**CU-202 Air cleaning unit** **OPTION**

Functionality	Improving indoor air quality by reduced emissions
---------------	---

**MK-P09**

**Cleaning Unit mounting kit**

**OPTION**

Functionality	Required to mount CU-202
---------------	--------------------------

## Copier specifications

	<b>bizhub C3320i</b>
<b>OPERATION PANEL</b>	7" resistive touch panel
<b>WARM-UP TIME</b>	
From power-switch on to ready for print	Approx. 13 sec. in mono; 15 sec. in color
From sleep return until ready for print	Approx. 13 sec. in mono; 15 sec. in color
From deep sleep return until ready for print	Approx. 14 sec. in mono; 16 sec. in color
<b>FIRST COPY</b>	
Colour (sec. or less)	7.2
B/W (sec. or less)	6.0
<b>COPY SPEED</b>	
A4 simplex (plain paper)	33 ppm
A4 simplex (thick paper)	16 ppm
A4 duplex (plain paper)	33 ppm
A4 duplex (thick paper)	16 ppm
<b>COPY PRODUCTIVITY (WHEN USING ADF SIMPLEX-TO-SIMPLEX)</b>	
A4 simplex (plain paper)	28 ppm
A4 simplex (thick paper)	16 ppm
<b>SCAN RESOLUTION</b>	600 x 600 dpi
<b>COPY-OUT RESOLUTION</b>	600 x 600 dpi
<b>MEMORY</b>	4 GB std. / max.
<b>MICRO SD</b>	16 GB
<b>GRADATION</b>	256

<b>ZOOM</b>	25 - 400 %, adjustable in 0,1% steps
<b>MULTI COPY</b>	1 - 9999, count up, interruption capability
<b>IMAGE LOSS (COPY)</b>	Leading edge: 4 ±2 mm Trailing edge: 4 ±2 mm
<b>POWER REQUIREMENT</b>	220 - 240 V / 50/60 Hz
<b>MAX. POWER CONSUMPTION</b>	< 1.45 kW
<b>MACHINE DIMENSIONS (W x D x H)</b>	420 x 528 x 572 mm (main body)
<b>MACHINE WEIGHT</b>	38.4 kg (main body including toner, imaging units and waste toner bottle)
<b>PAPER OUTPUT CAPACITY</b>	250 sheets (plain paper)
<b>PAPER INPUT CAPACITY</b>	Std.: 600 sheets (2-way) Max.: 1,100 sheets (3-way, optional)
<b>COPY FUNCTIONS</b>	
Electronic sorting	yes
Multi job (interrupt)	yes
Adjustments	Contrast Saturation Brightness Sharpness Image density Colour balance
Next job reservation	yes
Proof copy	yes
Interrupt mode	yes
Colour mode / Colour selections	yes (Auto, Full colour, Black, 2-Colour)
Media selection	yes (Media size selections / Media type selections)
Magnification selection	yes (Auto, Full-size, Minimal, XY zoom, Pre-set zoom, Manual)
Simplex / Duplex selection	yes
Separate scan	yes
Sort / Group	yes / yes
Combination	yes (2-in-1, 4-in-1, 8-in-1)
Original selection	yes (Mixed original, Thin paper original, Original direction, Original bind direction, Page bind direction)
Original type settings	yes (Text, Text/Photo (Photo paper, Printed photo), Photo (Photo paper, Printed photo), Dot Matrix Original, Map, Copied Paper)

Background adjustment	yes (manual 9 levels)
Copy density adjustment	yes (manual 9 levels)
Page margin	yes
Frame erase	yes
ID card copy	yes

## Printer specifications

	<b>bizhub C3320i</b>
<b>CPU</b>	Cortex A72 CPU Quad Core 1.6GHz
<b>PRINT SPEED</b>	
A4 simplex (plain paper)	33 ppm
A4 simplex (thick paper)	16 ppm
A4 duplex (plain paper)	33 ppm
A4 duplex (thick paper)	16 ppm
<b>PRINT RESOLUTION</b>	Default mode: 600 x 600 dpi High-definition mode: 1200 x 1200 dpi (reduced speed)
<b>PAGE DESCRIPTION LANGUAGE (PDL)</b>	PCL5e/c; PCL 6 (XL Ver. 3.0); PostScript 3 (3016); XPS Ver. 1.0; PPML/GA2.2; PPML VDX; PDF1.7; OOXML (docx/xlsx/pptx)
<b>PRINT RAM</b>	4 GB std. / max.
<b>MICRO SD</b>	16 GB
<b>FONTS</b>	
PCL	80 fonts
PostScript3	137 fonts
<b>HOST INTERFACES</b>	
10Base-T/100Base-TX/1000 Base-T Ethernet	yes (std.)
USB 2.0	yes (std.)
USB host	yes (std., for USB direct printing)
Wi-Fi 802.11b/g/n (optional)	yes (optional)

NETWORK PROTOCOLS	
TCP/IP (IPv4, IPv6)	yes
SMB	yes
SMTP	yes
FTP	yes
WebDAV	yes
SUPPORTED OS	
Windows 7 (32/64)	yes
Windows 8/8.1 (32/64)	yes
Windows 10 (32/64)	yes
Windows Server 2008 (32/64)	yes
Windows Server 2008 R2	yes
Windows Server 2012/R2	yes
Windows Server 2016	yes
Windows Server 2019	yes
Macintosh OS X 10.10	Yes (Mac OS 10.10 or later)
Unix	yes
Linux	yes
Citrix	yes
SAP	yes
PRINT FUNCTIONS	
Cover mode	yes
Chapters	yes
Account track	yes
Watermark	yes
Overlay	yes
Per page setting	yes Simplex / Duplex / Insert Blank Sheet / Print Insert



PC Fax	yes
Secure print	yes
Save in user box	yes
<b>Mobile Printing</b>	
Airprint (iOS)	Yes
Mopria (Android)	Yes
Google Cloud Print	No
WiFi direct (optional)	Yes
Konica Minolta Print Service (Android)	Yes
Konica Minolta Mobile Print (iOS and Android)	Yes
NFC Authentication (Android)	Yes

## Scanner specifications

<b>SCAN FUNCTIONS</b>	
Scan-to-eMail	yes
Scan-to-SMB	yes
Scan-to-FTP	yes
Scan-to-USB	yes
Scan-to-WebDAV	yes
Network TWAIN scan	no
<b>SCAN SPEED</b>	Up to 56 ipm (via std.DSDF)
<b>COLOUR SCANNING CAPABILITY</b>	yes
<b>MAX. SCAN ORIGINAL SIZE</b>	A4
Flatbed	Max. 215.9 x 297 mm
ADF	Max. 215.9 x 355.6 mm
<b>SCAN RESOLUTION</b>	Push: 200 / 300 / 400 / 600 dpi Pull: 100 / 200 / 300 / 400 / 600 dpi
<b>SCAN FORMAT</b>	TIFF, PDF, Compact PDF, JPEG, XPS, Compact XPS, pptx
<b>PROTOCOLS</b>	TCP/IP (FTP, SMB, SMTP, WebDAV) (IPv4/IPv6)
<b>SCANNER DRIVER</b>	Not supported

## Fax specifications

<b>GENERAL INFORMATION</b>	
Communication	Super G3
Compatible lines	Public switch telephone network, private branch exchange, fax communication line
Line density	600 x 600 dpi (ultra fine) 400 x 400 dpi (super fine) 200 x 200 dpi (fine)
Max. modem speed	2.4 – 33.6 kbps
Compression	MH, MR, MMR, JBIG

Transmission size	Flatbed: max. 215.9 x 355.6 mm ADF: max. 215.9 x 1,000 mm
Receiving size	Max. A4 (max. 1,000 mm, printed according page partition setting)
Transmission speed	Less than 3 sec. (A4, V.34, 33.6 kbps, JBIG)
Fax destinations	2,100 (2,000 single + 100 group)
i-Fax	yes
PC-fax	yes
Fax features	Program, Select from address book, Group dial program, Auto redial, Original type (Text, Text/Photo, Photo), Density, Memory/Quick TX, Busy/Error redial, Broadcast TX, Timer TX, Confidential TX/RX, Relay TX request, Polling TX/RX, Original bind direction/Paper bind direction, Frame Erase TX, TX Original size setting, Mixed original TX, ECM OFF, V34 OFF TX, Password TX, Memory RX, Memory vicarious execution RX, Password RX, Call rejection, Confidential print, Auto reduction print, Full size print, TEL/FAX auto switch, Audio response, Answering machine connection, Number display, Dial-in, Vicarious execution forward, Remote RX, Night-time receiving user box destination setting, Communication activity report, TX result report, Broadcast result TX report, Broadcast result RX report, Confidential RX report, Various lists, 2-sided record, Banner paper original TX/RX, TSI routing, Prevention of mistransmission

## Consumables

<b>TONER BLACK</b>	
Name	TNP80K
Concept	Cartridge system
Yield	13,000 (5% coverage)
Units per box	1 cartridge
<b>TONER COLOUR (C/M/Y)</b>	
Name	TNP80C/M/Y
Concept	Cartridge system
Yield	9,000 (5% coverage)
Units per box	1 cartridge
<b>IMAGING UNIT (C/M/Y)</b>	
Name	IUP36C/M/Y
SFV Yield	55K [@ 3 pages/job]
Units per box	1

<b>IMAGING UNIT (K)</b>	
Name	IUP36K
SFV Yield	155K [@ 3 pages/job CMYK]
Units per box	1
<b>STAPLE CARTRIDGE</b>	For FS-P04
Name	SK-501
<b>TRANSFER BELT / ROLLER</b>	
SFV Yield	155K [@ 3 pages/job CMYK]
<b>FUSING UNIT</b>	
R&D Yield	400K
<b>WASTE TONER BOX</b>	
Name	WB-P08
R&D Yield	B/W: 36,000 Colour: 9,000

## Article numbers and compatibility

MACHINE	ARTICLE NUMBER	COMPATIBILITY
bizhub C3320i	AAJP021	---
<b>ACCESSORIES</b>	<b>ARTICLE NUMBER</b>	<b>COMPATIBILITY</b>
<b>PF-P20</b> Paper feed cassette	AAJUWY1	bizhub C3350i/C4050i bizhub C3320i bizhub C3300i/C4000i
<b>PF-P22</b> Height adjustment unit	AAJUWY2	bizhub C3350i/C4050i bizhub C3320i bizhub C3300i/C4000i
<b>DK-P04x</b> Copy desk	9967008724	bizhub C3350i/C4050i bizhub C3320i bizhub C3300i/C4000i
<b>FK-517</b> Fax board	AA1K021	bizhub C3350i bizhub C3320i
<b>EK-P08</b> USB host board	ACCTWY1	bizhub C3350i/C4050i bizhub C3320i bizhub C3300i/C4000i
<b>EK-P09</b> USB host board + Bluetooth	ACCVWY1	bizhub C3350i/C4050i bizhub C3320i bizhub C3300i/C4000i
<b>EK-P10</b> NFC interface	ACCHWY1	bizhub C3300i/C4000i bizhub C3320i

<b>MK-P08</b> Mount kit for ID card reader	ACCKWY1	bizhub C3350i/C4050i bizhub C3320i bizhub C3300i/C4000i
<b>WT-P03</b> Working table	ACCRWY1	bizhub C3350i/C4050i bizhub C3320i bizhub C3300i/C4000i
<b>EK-P11</b> Interface cable for CSRC	ACCUWY1	bizhub C3350i/C4050i bizhub C3320i bizhub C3300i/C4000i
<b>LK-116</b> i-Option license	A0PDA21	bizhub C3350i/C4050i [and Eagle MFP series]
<b>KP-P03</b> 10-key pad	ACCEWY1	bizhub C3320i bizhub C3300i/C4000i
<b>FS-P04</b> Off-line stapler	ACCGWY1	bizhub C3350i/C4050i bizhub C3320i bizhub C3300i/C4000i
<b>UK-221</b> Wireless LAN	ACDMWY1	bizhub C3350i/C4050i bizhub C3320i bizhub C3300i/C4000i
<b>SX-BR-300AN</b> Wireless LAN	9967008318	other MFP series
<b>CU-202</b> Air filter	A9M5W21	bizhub C3350i/C4050i bizhub C3320i bizhub C3300i/C4000i [and other MFP series]
<b>MK-P09</b> CU-202 Mount kit	ACCWWY1	bizhub C3350i/C4050i bizhub C3320i bizhub C3300i/C4000i
<b>KH-P02</b> Keyboard holder	ACCFWY1	bizhub C3350i/C4050i bizhub C3320i bizhub C3300i/C4000i
<b>AU-102</b> Biometric authentication	A0X9WY1	other MFP series
<b>CONSUMABLES</b>	<b>ARTICLE NUMBER</b>	<b>COMPATIBILITY</b>
<b>TNP80C</b> Toner C	AAJW452	bizhub C3320i
<b>TNP80M</b> Toner M	AAJW352	bizhub C3320i
<b>TNP80Y</b> Toner Y	AAJW252	bizhub C3320i
<b>TNP80K</b> Toner K	AAJW152	bizhub C3320i
<b>IUP36C</b> Imaging Unit C	AAJV0HE	bizhub C3320i
<b>IUP36M</b> Imaging Unit M	AAJV0CE	bizhub C3320i
<b>IUP36Y</b> Imaging Unit Y	AAJV06E	bizhub C3320i
<b>IUP36K</b> Imaging Unit K	AAJV01E	bizhub C3320i
<b>WB-P08</b> Waste toner bottle	ACDNWY1	bizhub C3350i/C4050i bizhub C3320i bizhub C3300i/C4000i
<b>SK-501</b> Staples for FS-P04	A6Y8WY1	bizhub C3350i/C4050i bizhub C3320i bizhub C3300i/C4000i

## Documentation

FACE SHEETS	ARTICLE NUMBER	REMARKS
	Not available	Panel with marked keys – facesheets are not required
LEGAL REQUIRED INFORMATION (LRI)	ARTICLE NUMBERS AND AVAILABILITY	
en	9961332000	✓
de	9961332001	✓
fr	9961332002	✓
es	9961332003	✓
it	9961332004	✓
pt	9961332005	✓
nl	9961332006	✓
da	9961332007	✓
sv	9961332008	✓
no	9961332009	✓
fi	9961332010	✓
el	9961332011	✓
tr	9961332013	✓
cs	9961332015	✓
hu	9961332018	✓
pl	9961332021	✓
ro	9961332022	✓
ru	9961332023	✓
sk	9961332024	✓

## Driver DVD

DRIVER DVD	CONTENTS	REMARKS
Drivers	Windows Standard Printer drivers Windows PPD for Applications Windows Universal Printer drivers Windows TWAIN drivers Windows HDDTWAIN drivers Macintosh Standard Printer drivers Linux CUPS Printer Drivers	Driver DVD incl. manuals is packed to the LRI.
Utilities	Download Center Application Download Manager for Windows Download Manager for Macintosh Driver Packaging Utility Font Management Utility HDD Backup Utility Log Management Utility Box Operator Data Administrator Direct Print Net Care Device Manager Net Care Device Manager Plug-In Print Status Notifier	
Documentation	General Safety Information HTML User Guide Quick Guide Quick Reference Quick Reference (Legacy UI)	
USER'S GUIDE ONLINE	AVAILABILITY	
	en	✓
	de	✓
	fr	✓
	es	✓
	it	✓
ITRAINING	<a href="https://itraining.konicaminolta.eu">https://itraining.konicaminolta.eu</a>	

## Recommended media

BRAND	FORMAT	GRAMMATURE	REMARK
<b>PLAIN PAPER (Color)</b>			
Konica Minolta Color+	A4	90 g/m <sup>2</sup>	KM Office Börse / local Mondi distributor
Konica Minolta Color+	A4	100 g/m <sup>2</sup>	KM Office Börse / local Mondi distributor
Konica Minolta Color+	A4	120 g/m <sup>2</sup>	KM Office Börse / local Mondi distributor
Konica Minolta Color+	A4	160 g/m <sup>2</sup>	KM Office Börse / local Mondi distributor
Konica Minolta Original	A4	80 g/m <sup>2</sup>	KM Office Börse / local Mondi distributor
Mondi Color Copy	A4	90 g/m <sup>2</sup>	local Mondi distributor
Mondi Color Copy	A4	100 g/m <sup>2</sup>	local Mondi distributor
Mondi Color Copy	A4	160 g/m <sup>2</sup>	local Mondi distributor
Mondi Color Copy	A4	200 g/m <sup>2</sup>	local Mondi distributor
Mondi MAESTRO extra	A4	80 g/m <sup>2</sup>	local Mondi distributor
<b>RECYCLING PAPER (Monochrome)</b>			
Steinbeis ClassicWhite	A4/A3	80 g/m <sup>2</sup>	<a href="https://www.stp.de/en/office-paper/steinbeis-classicwhite/">https://www.stp.de/en/office-paper/steinbeis-classicwhite/</a>



## Appendix

### Paper weights and sizes to be used

SOURCE	CAPACITY (80 g/m <sup>2</sup> )	SIZE	WEIGHT (g/m <sup>2</sup> )
Tray 1	500 sheets	A4 – A6 Width: 100 - 216 mm Length: 148 - 297 mm	60 – 210
Bypass tray	100 sheets	A4 – A6 Width: 90 - 216 mm Length: 148 - 356 mm	60 – 210
Duplex unit	n/a	Width: 120 - 216 mm Length: 223 - 356 mm	60 – 210
PF-P20	500 sheets	B5S, A4S	60 – 90

### Media type tray support

MEDIA TYPE	BYPASS TRAY	TRAY 1	PF-P20	DUPLEX UNIT
Plain paper (60-90 g/m <sup>2</sup> )	Yes	Yes	Yes	Yes
Recycle paper (60-90 g/m <sup>2</sup> )	Yes	Yes	Yes	Yes
Single side only paper (60-90 g/m <sup>2</sup> )	Yes	Yes	Yes	-
Plain paper+ (91-105 g/m <sup>2</sup> )	Yes (20 sheets)	Yes (20 sheets)	-	Yes
Thick paper 1 (106-120 g/m <sup>2</sup> )	Yes (20 sheets)	Yes (20 sheets)	-	Yes
Thick paper 1+ (121-157 g/m <sup>2</sup> )	Yes (20 sheets)	Yes (20 sheets)	-	Yes
Thick paper 2 (158-210 g/m <sup>2</sup> )	Yes (20 sheets)	Yes (20 sheets)	-	Yes
Envelopes	Yes (20 sheets)	Yes (20 sheets)	-	-
Label sheets	Yes (20 sheets)	Yes (20 sheets)	-	-
Postcards	Yes (20 sheets)	Yes (20 sheets)	-	-
Letterhead (60-90 g/m <sup>2</sup> )	Yes (20 sheets)	Yes (20 sheets)	-	-

## What is delivered with the machine?

	PACKED AT FACTORY	ADDED IN EUROPE
Toner CMYK	yes (full capacity)	-
Imaging units CMYK	yes (full capacity)	-
Waste toner bottle	yes	-
Legal Required Information (LRI)	-	yes (printed)
DVD with drivers & user guides	-	yes
Face sheets	-	-
Telephone line cable	no	
USB cable	no	





**KONICA MINOLTA**

**Konica Minolta**  
**Business Solutions UK Ltd**  
Miles Gray Road  
Basildon  
Essex.  
SS14 3AR  
Tel: +44 (0)1268 534444  
[www.konicaminolta.co.uk](http://www.konicaminolta.co.uk)